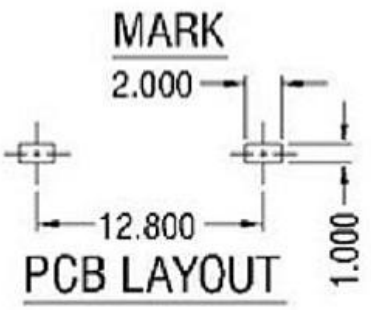
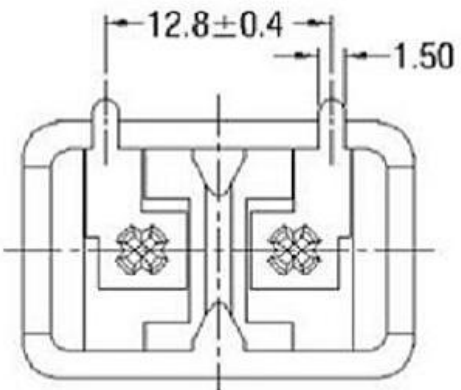
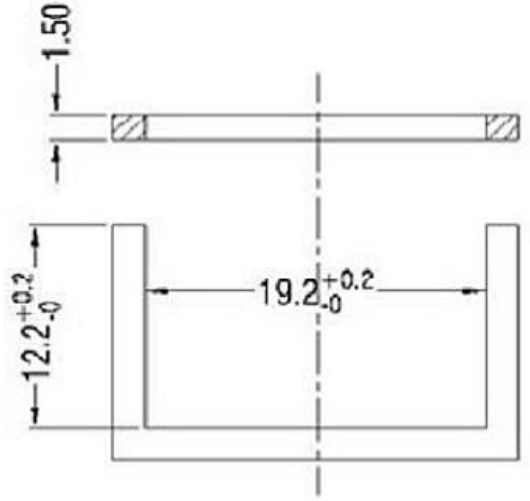
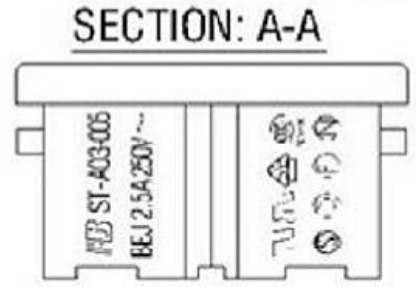
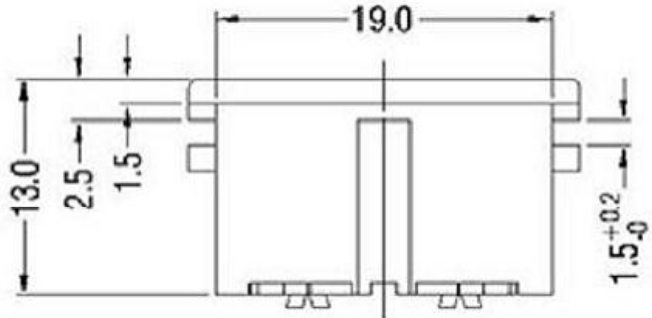


**SPEC:**  
**A. Material:**  
 1.Housing: PA66 WITH G/F10%  
 2.Terminal: COPPER ALLOY, TIN PLATED  
**B.Electrical Characteristics:**  
 1.Rating: 2.5A 250V~  
 (UL,CUL,CCC,VDE,SEMKO,NEMKO,FIMKO,DEMKO)  
 2.Electric Strength: AC 2.000 V FOR ONE MINUTE  
 3.Insulation Resistance: 100MΩ MIN, AT 500V DC  
**C.Approvals:**  
 UL, CUL, CCC, VDE, SEMKO, NEMKO, FIMKO, DEMKO



				普通公差 COMMON TOLERANCE:	 <b>东莞市高迪电子有限公司</b>					
				UP TO 5 ±0.20					单位 UNIT	mm
				ABOVE 5 TO 30 ±0.30	绘图 DRAWN BY	林晓良	核对 CHECKED BY	型号 MODEL NO.		
REV.	DATE	REVISION DESCRIPTION	ISSUE	ANGULAR ±5°	日期 DATE	19. 08. 12	核准 APPROVAL BY	料号 PART NO.	KD-AC电源插座	